

# GUIDE RAILS KILAVUZ RAYLARI

**Elevator System Solution**  
Asansör Sistem Çözümleri

 **Savera**

Türkiye Tek Yetkili Distribütörü





**Super**  
★★★

≤ 1.60 m/s

**Extra**  
★★★★

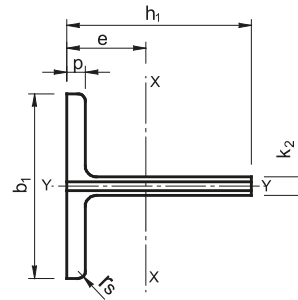
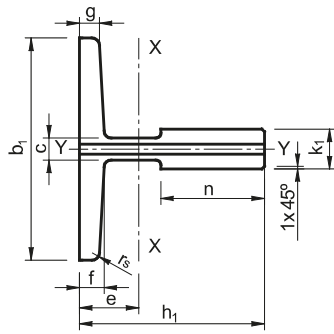
≤ 4.00 m/s

**Star**  
★★★★★

> 4.00 m/s

**Star Plus**  
★★★★★★

≤ 20.00 m/s



Type - Tip

$b_1$

$h_1$

$k_1$

$n$

Fish Plates  
Flanşlar

$d$

Bolt  
Civata

Washer  
Pul

**Super**  
**Soğuk Çekme**  
**Cold Drawn**  
**< 1.00 m / s**

T 50 A	50 x 50 x 5 mm	50	50	5	-	-	9	M8 x 25	A-8
T 50-9 A	50 x 50 x 9 mm	50	50	9	34	34	9	M8 x 25	A-8
T 70 A	70 x 65 x 9 mm	70	65	9	34	34	13	M12 x 35	A-12
T 70-70-9 A	70 x 70 x 9 mm	70	70	9	35	35	13	M12 x 35	A-12
T 75 A	75 x 62 x 10 mm	75	62	10	30	30	13	M12 x 35	A-12
T 82 A	82 x 68 x 9 mm	82	68	9	34	34	13	M12 x 35	A-12
T 89 A	89 x 62 x 16 mm	89	62	16	34	34	13	M12 x 40	A-12
T 90 A	90 x 75 x 16 mm	90	75	16	42	42	13	M12 x 40	A-12

**Super**  
**İşlenmiş**  
**Machined**  
**< 1.60 m / s**

T 70 B	70 x 65 x 9 mm	70	65	9	34	34	13	M12 x 35	A-12
T 75 B	75 x 62 x 10 mm	75	62	10	30	30	13	M12 x 35	A-12
T 82 B	82 x 68 x 9 mm	82	68	9	34	34	13	M12 x 35	A-12
T 89 B	89 x 62 x 16 mm	89	62	16	34	34	13	M12 x 40	A-12
T 90 B	90 x 75 x 16 mm	90	75	16	42	42	13	M12 x 40	A-12
T 114 B	114 x 89 x 16 mm	114	89	16	38	38	17	M16 x 50	A-16
T 125 B	125 x 82 x 16 mm	125	82	16	42	42	17	M16 x 50	A-16
T 127-1 B	127 x 89 x 16 mm	127	89	16	45	45	17	M16 x 50	A-16
T 140-1 B	140 x 108 x 19 mm	140	108	19	51	51	21	M20 x 70	A-20
T140-2B	140 x 102 x 28,6 mm	140	102	28,6	51	51	21	M20 x 65	A-20
T140-3B	140 x 127 x 31,75 mm	140	127	31,75	57	57	21	M20 x 80	A-20

**Extra**  
**İşlenmiş**  
**Machined**  
**< 4.00 m / s**

T 90 BE	90 x 75 x 16 mm	90	75	16	42	42	13	M12 x 40	A-12
T 125 BE	125 x 82 x 16 mm	125	82	16	42	42	17	M16 x 60	A-16
T 127-1 BE	127 x 89 x 16 mm	127	89	16	45	45	17	M16 x 60	A-16

### EVATEK ASANSÖR

Gençlik Caddesi No.52  
34788 Taşdelen, Çekmeköy/İSTANBUL

info@evatek.com.tr

+90 (216) 466 00 33



Scan  
For catalogue  
Katalog için  
Taratın.