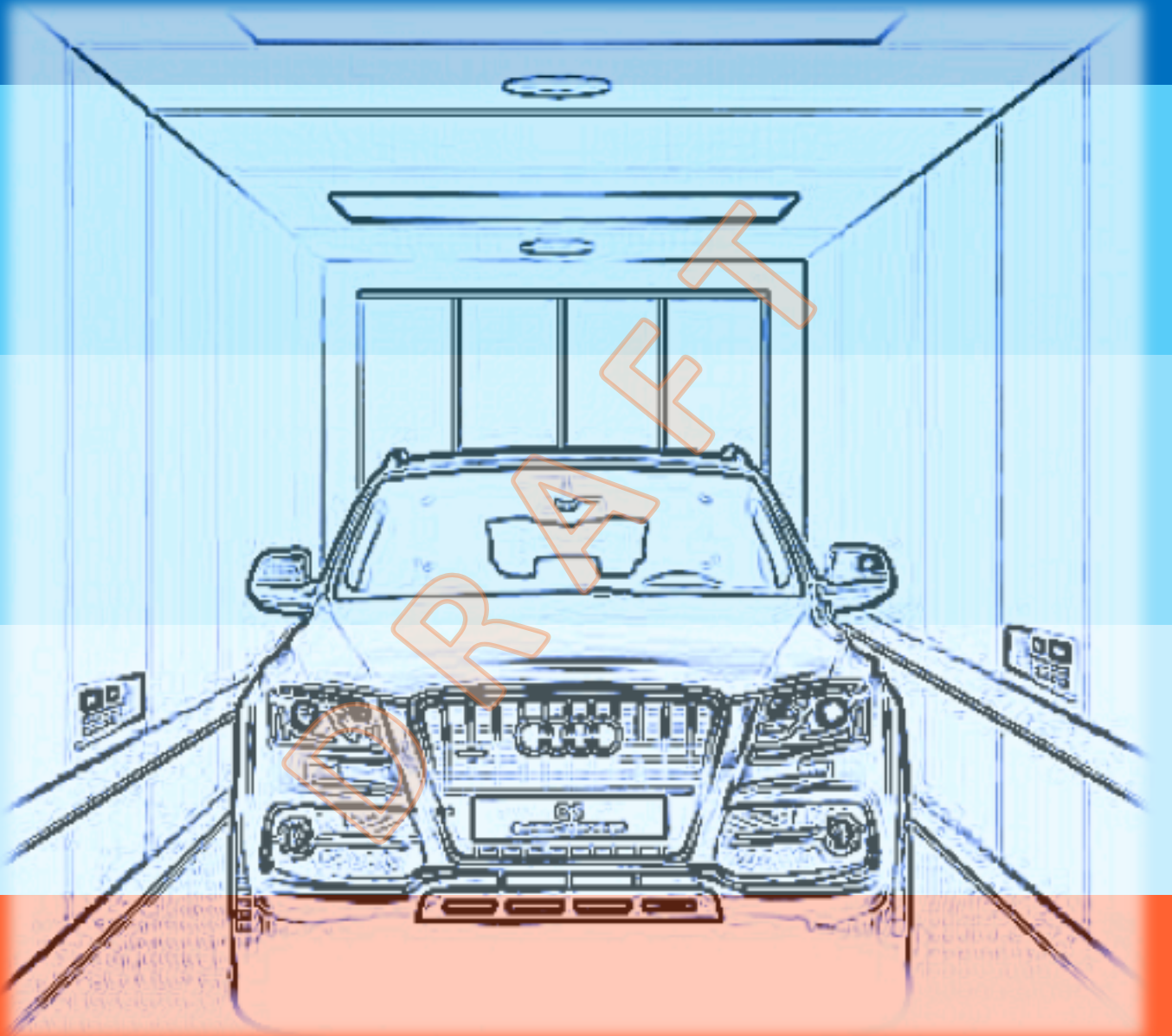




evamobil

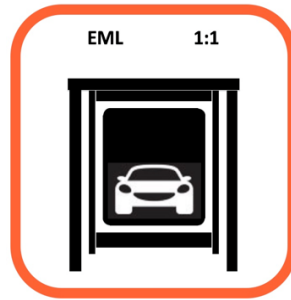
elevator systems for automobiles



Evatek Asansör Sanayi ve Ticaret Limited Şirketi

Gençlik Cad. No. 52 Taşdelen 34778 Çekmeköy / İstanbul

T +90 (216) 466 00 33 F +90 (216) 466 02 99 info@evatek.com.tr www.evatek.com.tr



Elevator system for automobiles

evamobil is pre-engineered hydraulic elevator system provide an access from street to parking areas without the needs of ramps

evamobil elevator systems are designed to save the space and optimise the necessary shaft dimensions.

In addition to reliability and high performance, the **evamobil** hydraulic drive achieves very smooth travelling and low noise.

evamobil systems complies with latest directives and norms.

evamobil elevator system offers :

Minimal headroom height requirement

Minimal pit height requirement

Wide range of door types and finishings.

Wide range of car models and finishes.

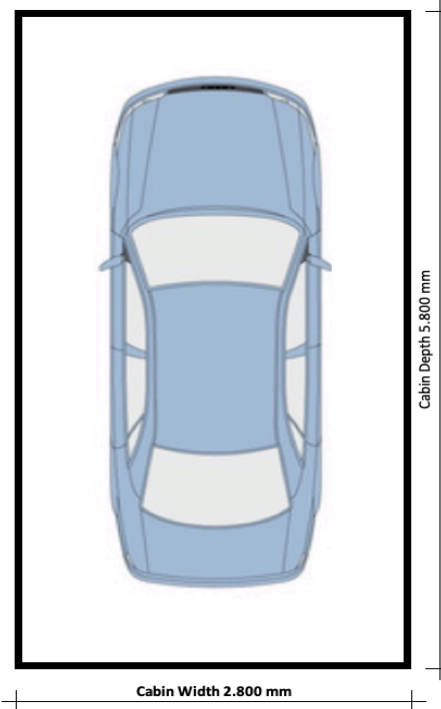
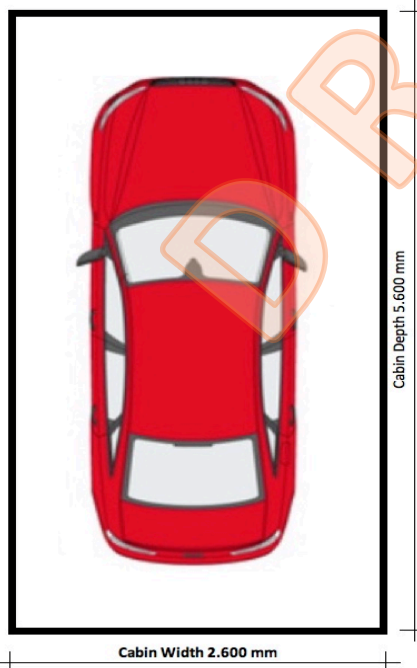
Staged Delivery by modules.

Optimized packing for low transport costs

Low maintenance costs.

Short installation time

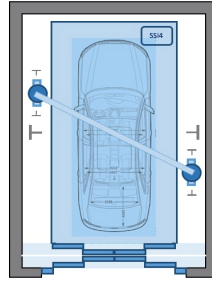
Single or Double entrances



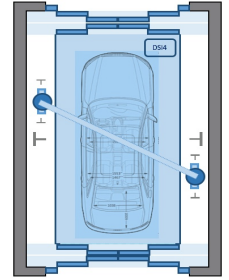
OPTIMIZED CABIN DIMENSIONS

INDIRECT SIDE ACTING / 4 PANELS DOOR

RATED SPEED	0,30 m/s
MAXIMUM TRAVEL	12 m
NUMBER OF STOPS	5
MIN. HEADROOM	3.850 mm / 3.300 mm **
MIN PIT HEIGHT	1.200 mm
CAR INTERNAL HEIGHT	2.200 mm
DOOR WIDTH DW	2.400 mm
DOOR HEIGHT DH	2.100 mm



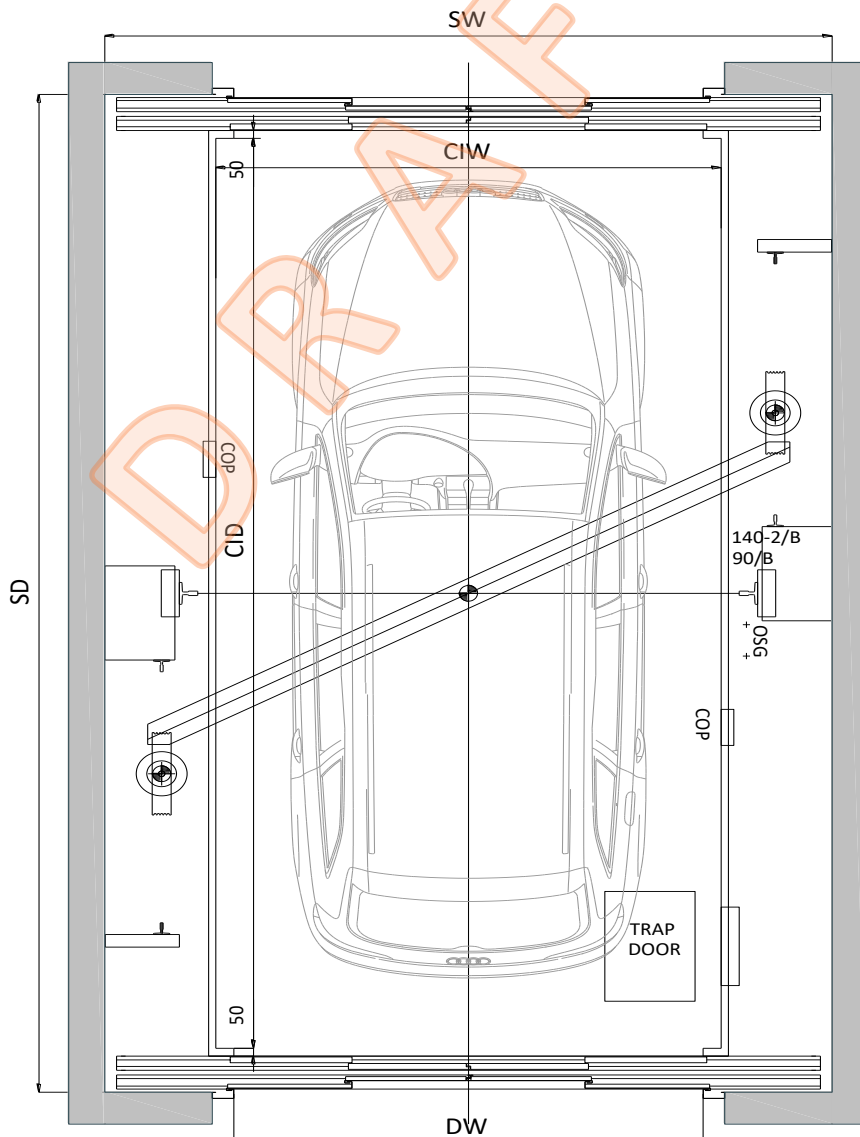
RATED SPEED	0,30 m/s
MAXIMUM TRAVEL	12 m
NUMBER OF STOPS	5
MIN. HEADROOM	3.850 mm / 3.300 mm **
MIN PIT HEIGHT	1.200 mm
CAR INTERNAL HEIGHT	2.200 mm
DOOR WIDTH DW	2.400 mm
DOOR HEIGHT DH	2.100 mm



LAYOUT	SSI4	SSI4	DSI4	DSI4
RATED LOAD	4.000 Kg	4.500 Kg	4.000 Kg	4.500 Kg
MOTOR	40 KW / 85 A	47 KW / 97 A	40 KW / 85 A	47 KW / 97 A
SHAFT WIDTH SW	3.790 mm	3.790 mm	3.790 mm	3.790 mm
SHAFT DEPTH SD	6.050 mm	6.250 mm	6.240 mm	6.440 mm
CAR WIDTH CIW	2.600 mm	2.800 mm	2.600 mm	2.800 mm
CAR DEPTH CID	5.600 mm	5.800 mm	5.600 mm	5.800 mm
CAR AREA	14,79 m ²	16,49 m ²	14,79 m ²	16,49 m ²

* Dimensions according EN 81.20 Norm.

** Dimensions according EN 81.21 Norm.



* Dimensions according to Bucher Hydraulics

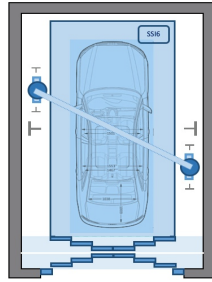
* Drawing for Double Entrance Application.

* Drawing for Single Entrance Application should be requested.

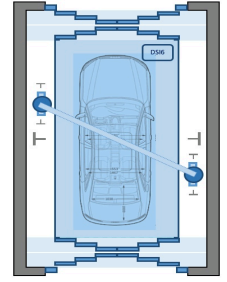


INDIRECT SIDE ACTING / 6 PANELS DOOR

RATED SPEED	0,30 m/s
MAXIMUM TRAVEL	12 m
NUMBER OF STOPS	5
MIN. HEADROOM	3.850 mm / 3.300 mm **
MIN PIT HEIGHT	1.200 mm
CAR INTERNAL HEIGHT	2.200 mm
DOOR WIDTH DW	2.400 mm
DOOR HEIGHT DH	2.100 mm



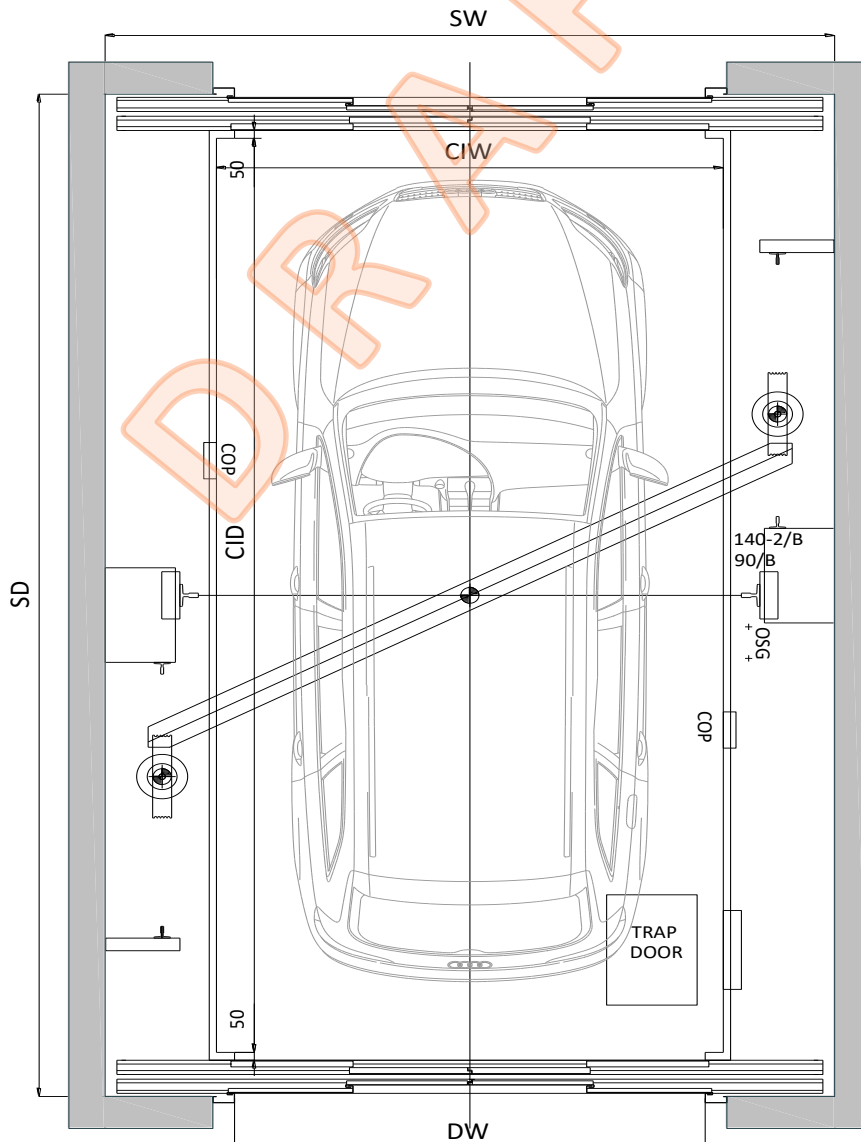
RATED SPEED	0,30 m/s
MAXIMUM TRAVEL	12 m
NUMBER OF STOPS	5
MIN. HEADROOM	3.850 mm / 3.300 mm **
MIN PIT HEIGHT	1.200 mm
CAR INTERNAL HEIGHT	2.200 mm
DOOR WIDTH DW	2.400 mm
DOOR HEIGHT DH	2.100 mm



LAYOUT	SSI6	SSI6	DSI6	DSI6
RATED LOAD	4.000 Kg	4.500 Kg	4.000 Kg	4.500 Kg
MOTOR	40 KW / 80 A	47 KW / 97 A	40 KW / 80 A	47 KW / 97 A
SHAFT WIDTH SW	3.510 mm	3.760 mm	3.510 mm	3.760 mm
SHAFT DEPTH SD	6.140 mm	6.340 mm	6.430 mm	6.630 mm
CAR WIDTH CIW	2.600 mm	2.800 mm	2.600 mm	2.800 mm
CAR DEPTH CID	5.600 mm	5.800 mm	5.600 mm	5.800 mm
CAR AREA	14,79 m ²	16,49 m ²	14,79 m ²	16,49 m ²

* Dimensions according EN 81.20 Norm.

** Dimensions according EN 81.21 Norm.



* Dimensions according to Bucher Hydraulics

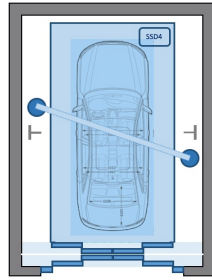
* Drawing for Double Entrance Application.

* Drawing for Single Entrance Application should be requested.

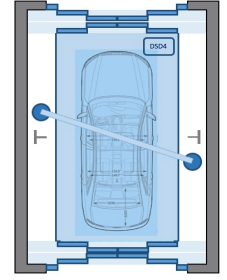


DIRECT SIDE ACTING / 4 PANELS DOOR

RATED SPEED	0,30 m/s
MAXIMUM TRAVEL	8 m
NUMBER OF STOPS	3
MIN. HEADROOM	3.850 mm / 3.300 mm **
MIN PIT HEIGHT	1.200 mm
CAR INTERNAL HEIGHT	2.200 mm
DOOR WIDTH DW	2.400 mm
DOOR HEIGHT DH	2.100 mm



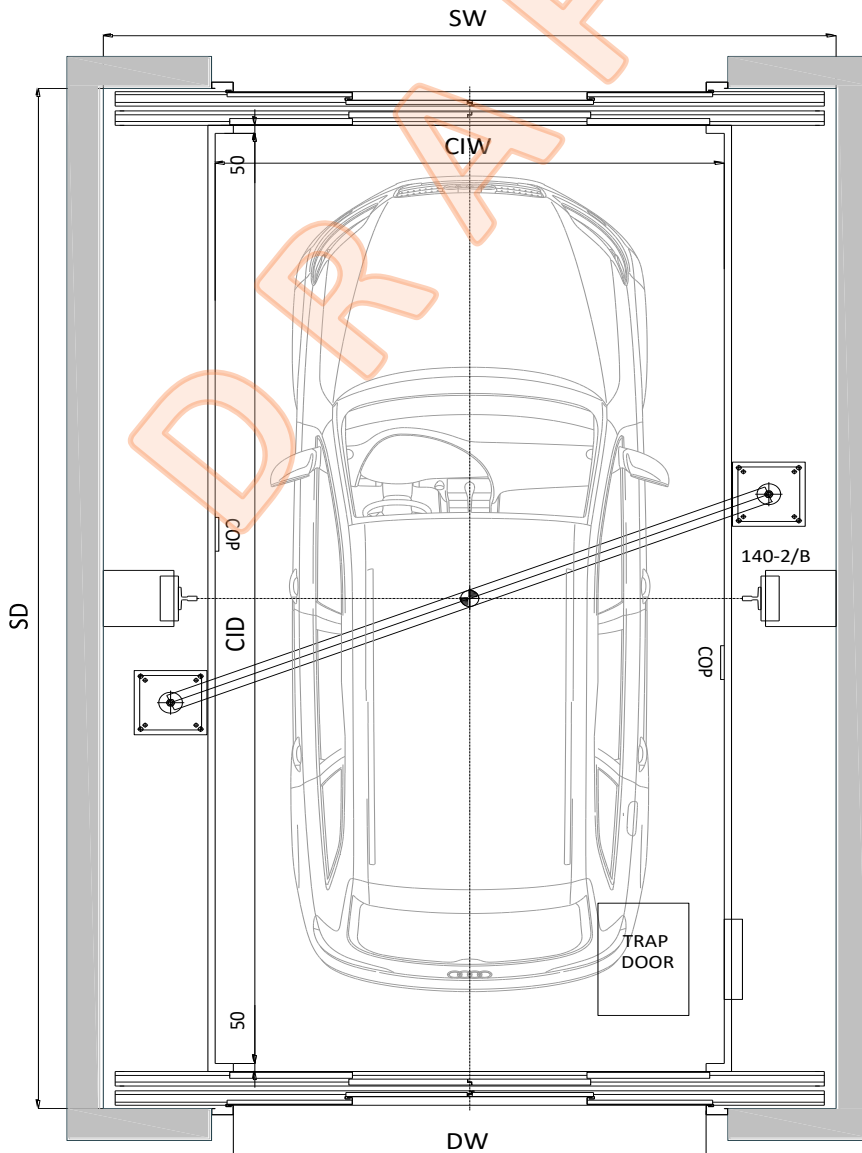
RATED SPEED	0,30 m/s
MAXIMUM TRAVEL	8 m
NUMBER OF STOPS	3
MIN. HEADROOM	3.850 mm / 3.300 mm **
MIN PIT HEIGHT	1.200 mm
CAR INTERNAL HEIGHT	2.200 mm
DOOR WIDTH DW	2.400 mm
DOOR HEIGHT DH	2.100 mm



LAYOUT	SSD4	SSD4	DSD4	DSD4
RATED LOAD	4.000 Kg	4.500 Kg	4.000 Kg	4.500 Kg
MOTOR	47 KW / 97 A	47 KW / 97 A	47 KW / 97 A	47 KW / 97 A
SHAFT WIDTH SW	3.790 mm	3.790 mm	3.790 mm	3.790 mm
SHAFT DEPTH SD	6.050 mm	6.250 mm	6.240 mm	6.440 mm
CAR WIDTH CIW	2.600 mm	2.800 mm	2.600 mm	2.800 mm
CAR DEPTH CID	5.600 mm	5.800 mm	5.600 mm	5.800 mm
CAR AREA	14,79 m ²	16,49 m ²	14,79 m ²	16,49 m ²

* Dimensions according EN 81.20 Norm.

** Dimensions according EN 81.21 Norm.



* Dimensions according to Bucher Hydraulics

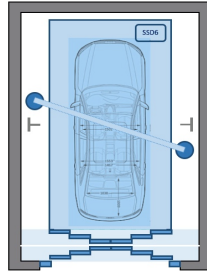
* Drawing for Double Entrance Application.

* Drawing for Single Entrance Application should be requested.

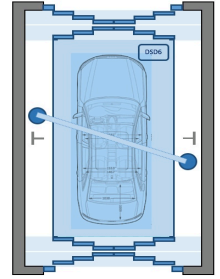


DIRECT SIDE ACTING / 6 PANELS DOOR

RATED SPEED	0,30 m/s
MAXIMUM TRAVEL	8 m
NUMBER OF STOPS	3
MIN. HEADROOM	3.850 mm / 3.300 mm **
MIN PIT HEIGHT	1.200 mm
CAR INTERNAL HEIGHT	2.200 mm
DOOR WIDTH DW	2.400 mm
DOOR HEIGHT DH	2.100 mm



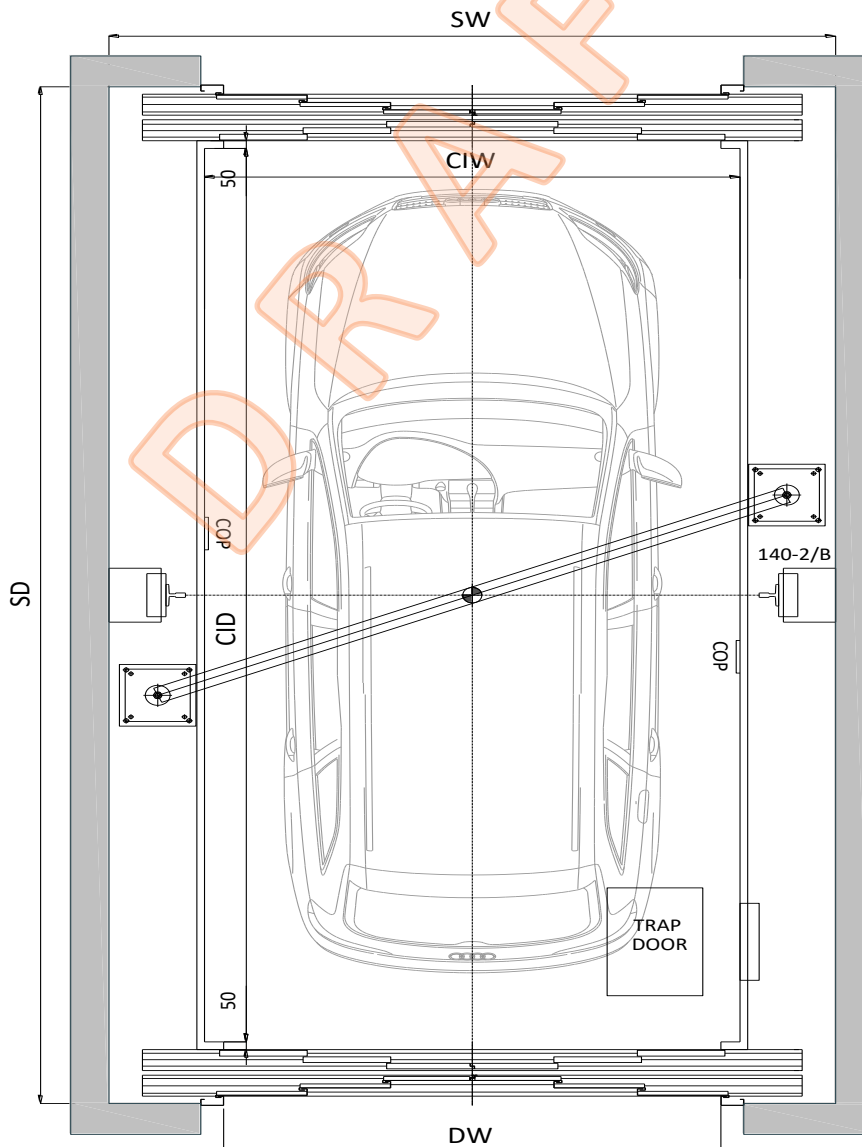
RATED SPEED	0,30 m/s
MAXIMUM TRAVEL	8 m
NUMBER OF STOPS	3
MIN. HEADROOM	3.850 mm / 3.300 mm **
MIN PIT HEIGHT	1.200 mm
CAR INTERNAL HEIGHT	2.200 mm
DOOR WIDTH DW	2.400 mm
DOOR HEIGHT DH	2.100 mm



LAYOUT	SSD6	SSD6	DSD6	DSD6
RATED LOAD	4.000 Kg	4.500 Kg	4.000 Kg	4.500 Kg
MOTOR	47 KW / 97 A	47 KW / 97 A	47 KW / 97 A	47 KW / 97 A
SHAFT WIDTH SW	3.550 mm	3.760 mm	3.550 mm	3.760 mm
SHAFT DEPTH SD	6.140 mm	6.340 mm	6.430 mm	6.630 mm
CAR WIDTH CIW	2.600 mm	2.800 mm	2.600 mm	2.800 mm
CAR DEPTH CID	5.600 mm	5.800 mm	5.600 mm	5.800 mm
CAR AREA	14,79 m ²	16,49 m ²	14,79 m ²	16,49 m ²

* Dimensions according EN 81.20 Norm.

** Dimensions according EN 81.21 Norm.



* Dimensions according to Bucher Hydraulics

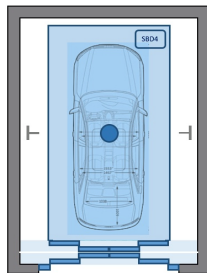
* Drawing for Double Entrance Application.

* Drawing for Single Entrance Application should be requested.

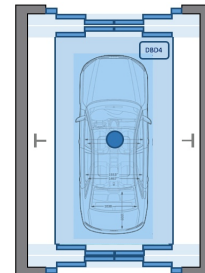


DIRECT BOTTOM ACTING / 4 PANELS DOOR

RATED SPEED	0,30 m/s
MAXIMUM TRAVEL	8 m
NUMBER OF STOPS	3
MIN. HEADROOM	3.850 mm / 3.300 mm **
MIN PIT HEIGHT	1.200 mm
CAR INTERNAL HEIGHT	2.200 mm
DOOR WIDTH DW	2.400 mm
DOOR HEIGHT DH	2.100 mm



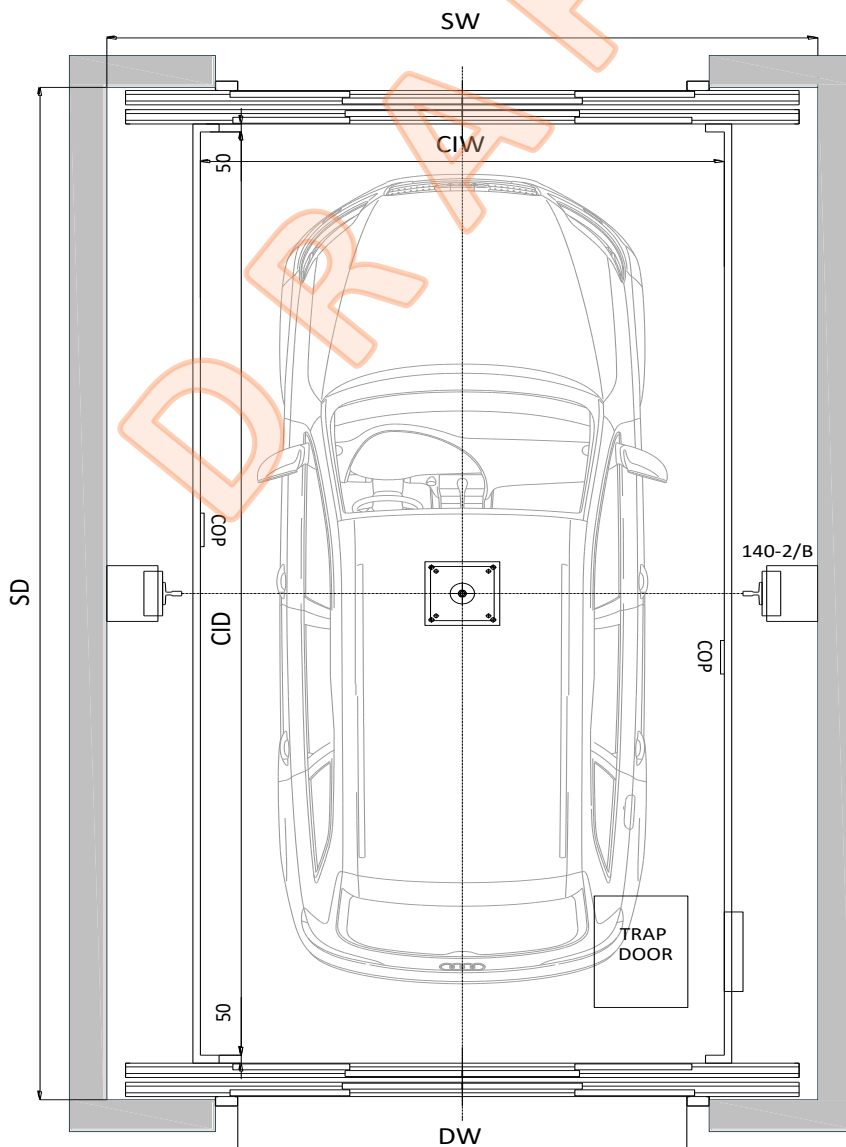
RATED SPEED	0,30 m/s
MAXIMUM TRAVEL	8 m
NUMBER OF STOPS	3
MIN. HEADROOM	3.850 mm / 3.300 mm **
MIN PIT HEIGHT	1.200 mm
CAR INTERNAL HEIGHT	2.200 mm
DOOR WIDTH DW	2.400 mm
DOOR HEIGHT DH	2.100 mm



LAYOUT	SBD4	SBD4	DBD4	DBD4
RATED LOAD	4.000 Kg	4.500 Kg	4.000 Kg	4.500 Kg
MOTOR	47 KW / 97 A	47 KW / 97 A	47 KW / 97 A	47 KW / 97 A
SHAFT WIDTH SW	3.790 mm	3.790 mm	3.790 mm	3.790 mm
SHAFT DEPTH SD	6.050 mm	6.250 mm	6.240 mm	6.440 mm
CAR WIDTH CIW	2.600 mm	2.800 mm	2.600 mm	2.800 mm
CAR DEPTH CID	5.600 mm	5.800 mm	5.600 mm	5.800 mm
CAR AREA	14,79 m ²	16,49 m ²	14,79 m ²	16,49 m ²

* Dimensions according EN 81.20 Norm.

** Dimensions according EN 81.21 Norm.



* Dimensions according to Bucher Hydraulics

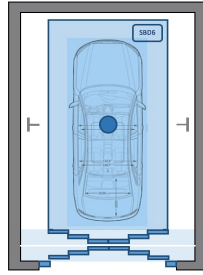
* Drawing for Double Entrance Application.

* Drawing for Single Entrance Application should be requested.

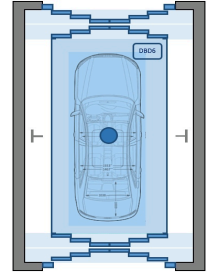


DIRECT BOTTOM ACTING / 6 PANELS DOOR

RATED SPEED	0,30 m/s
MAXIMUM TRAVEL	8 m
NUMBER OF STOPS	3
MIN. HEADROOM	3.850 mm / 3.300 mm **
MIN PIT HEIGHT	1.200 mm
CAR INTERNAL HEIGHT	2.200 mm
DOOR WIDTH DW	2.400 mm
DOOR HEIGHT DH	2.100 mm



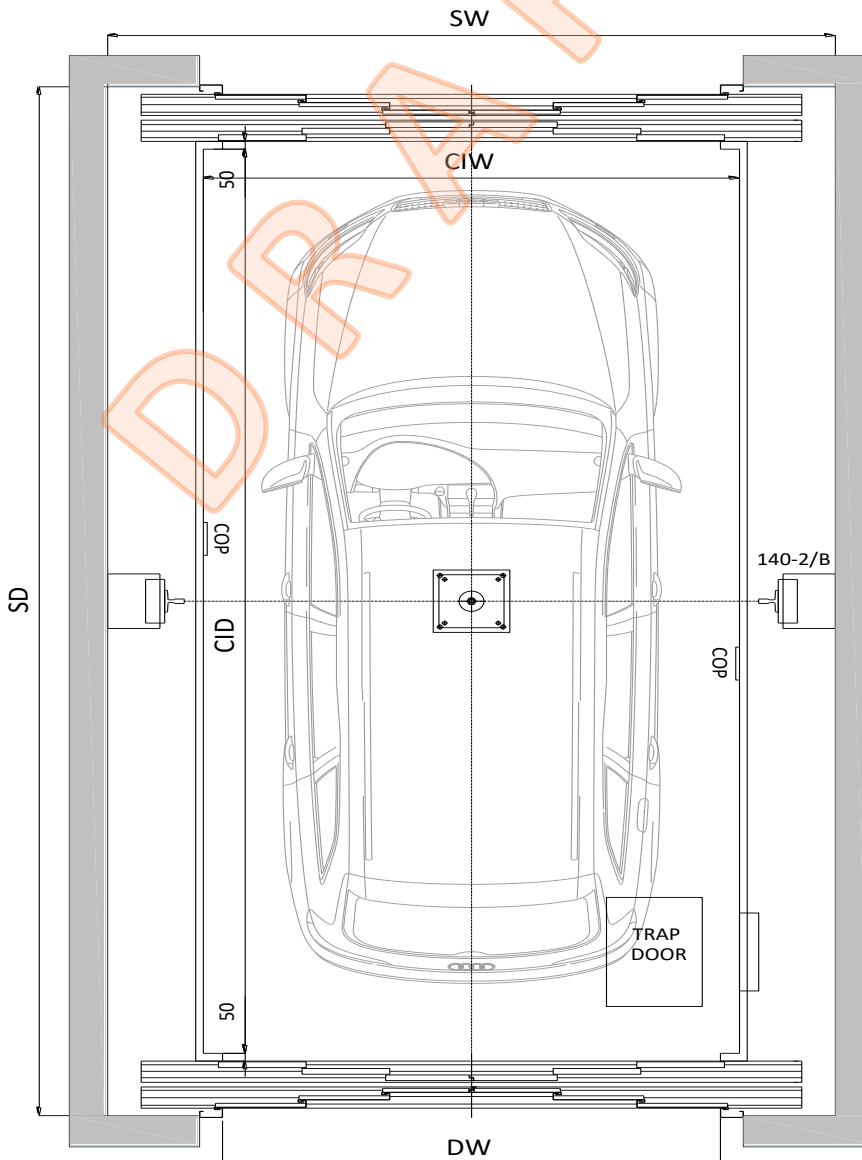
0,30 m/s
8 m
3
3.850 mm / 3.300 mm **
1.200 mm
2.200 mm
2.400 mm
2.100 mm



LAYOUT	SBD6	SBD6	DBD6	DBD6
RATED LOAD	4.000 Kg	4.500 Kg	4.000 Kg	4.500 Kg
MOTOR	47 KW / 97 A	47 KW / 97 A	47 KW / 97 A	47 KW / 97 A
SHAFT WIDTH SW	3.320 mm	3.400 mm	3.320 mm	3.400 mm
SHAFT DEPTH SD	6.140 mm	6.340 mm	6.430 mm	6.630 mm
CAR WIDTH CIW	2.600 mm	2.800 mm	2.600 mm	2.800 mm
CAR DEPTH CID	5.600 mm	5.800 mm	5.600 mm	5.800 mm
CAR AREA	14,79 m ²	16,49 m ²	14,79 m ²	16,49 m ²

* Dimensions according EN 81.20 Norm.

** Dimensions according EN 81.21 Norm.



* Dimensions according to Bucher Hydraulics

* Drawing for Double Entrance Application.

* Drawing for Single Entrance Application should be requested.